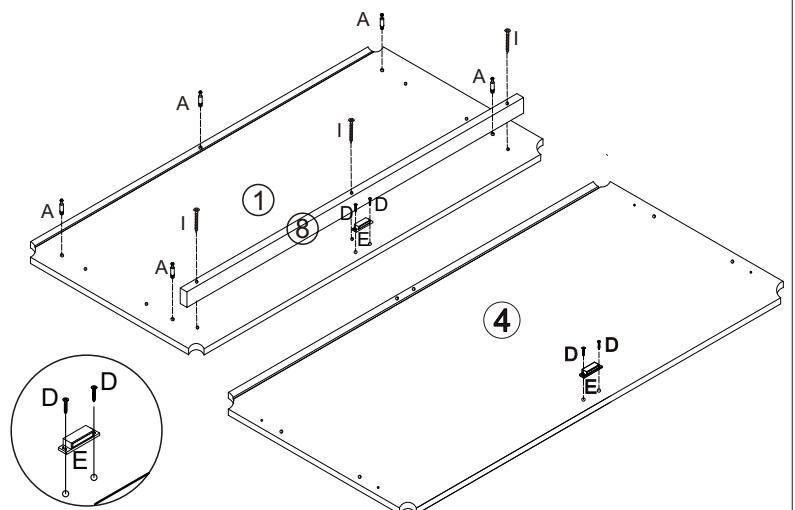
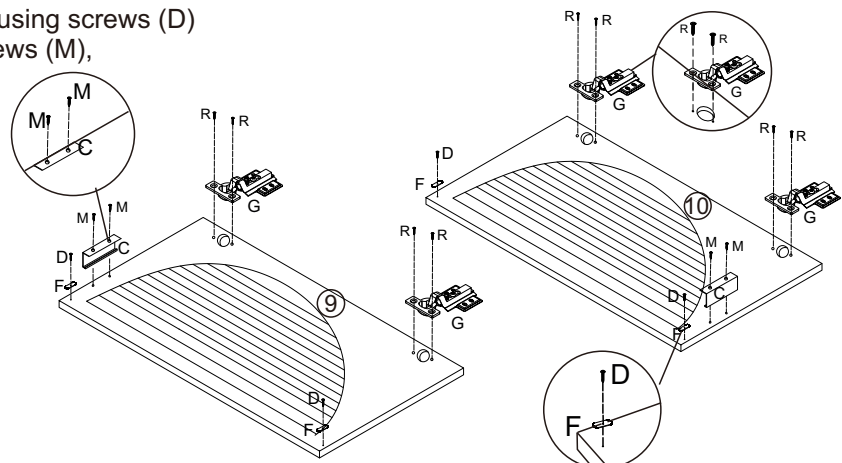


A		5 PCS	K		2 PCS
B		5 PCS	L		2 PCS
C		2 PCS	M		4 PCS
D		12PCS	N		2 PCS
E		2 PCS	O		2 PCS
F		4 PCS	P		4 PCS
G		4 PCS	Q		6 PCS
H		8 PCS	R		24PCS
I		3 PCS	S		4 PCS
J		4 PCS			

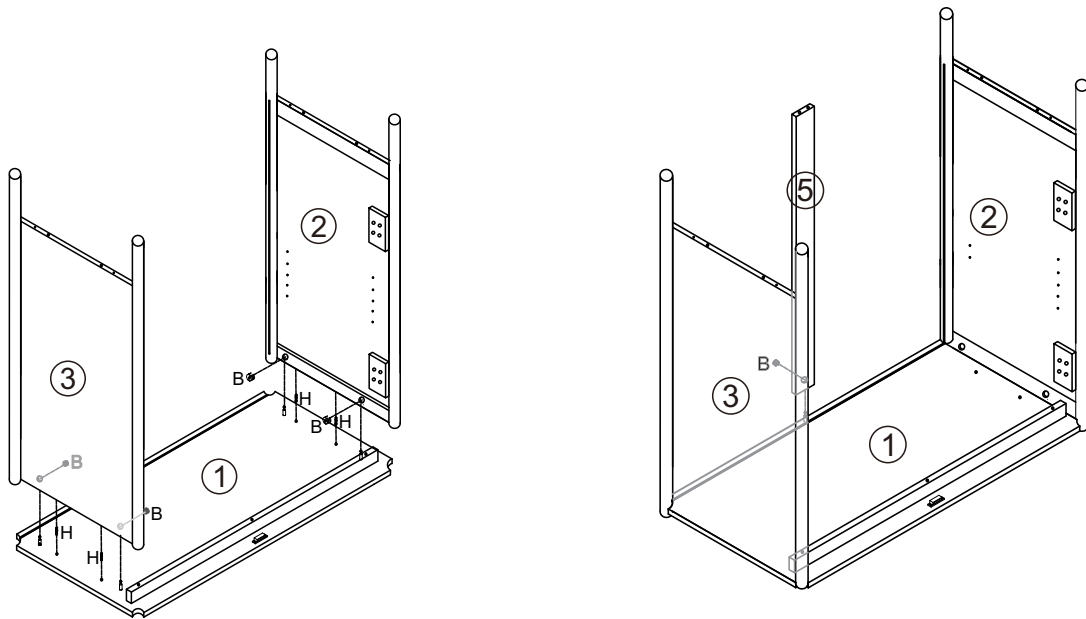
- 1** Attach piece 8 to piece 1 using screw (I), attach cam bolt (A) on piece 1. On piece 1 & 4, secure the catch (E) using screws (D). Use the pre-drilled holes for guidance.



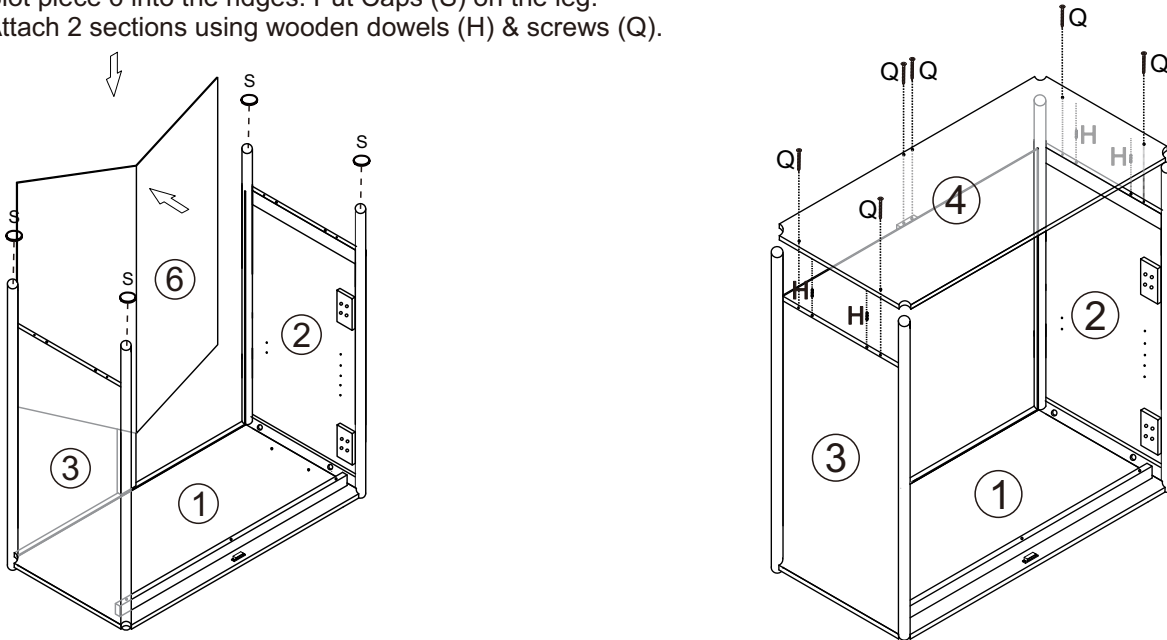
- 2** On piece 9 & 10, attach the plates (F) using screws (D), attach the door handles (C) using screws (M), attach hinge (G) using screws (R).



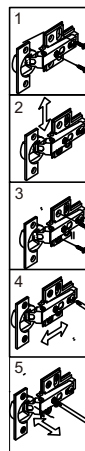
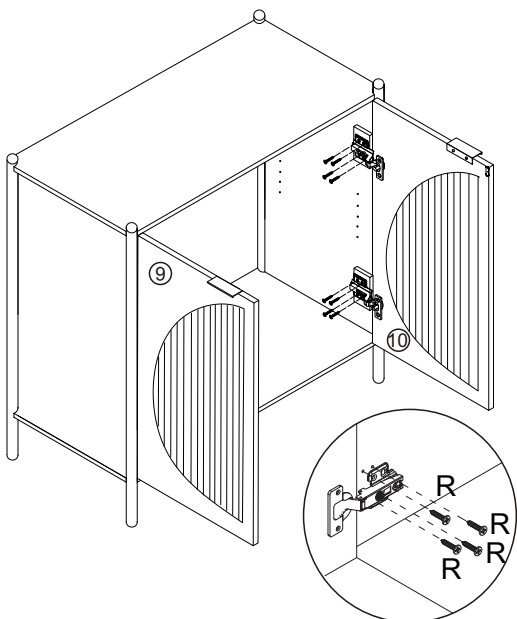
3 Attach piece 2 & 3 to piece 1 using wooden dowels (H) and cam locks (B).
Then piece 5 to unit using cam locks (B).



4 Slot piece 6 into the ridges. Put Caps (S) on the leg. Attach 2 sections using wooden dowels (H) & screws (Q).

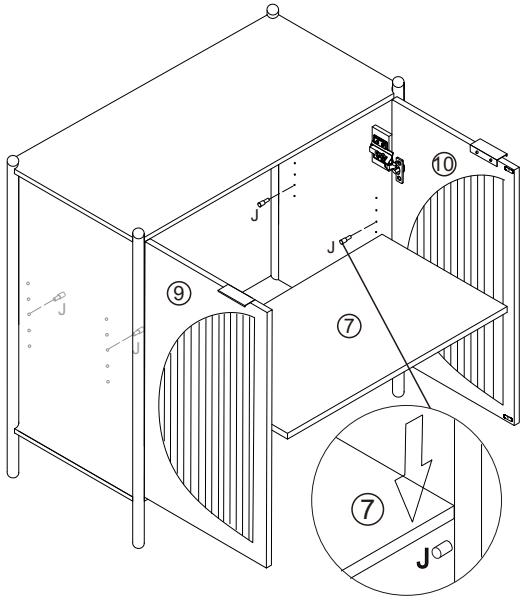


5 Turn the unit the right way up, attach hinge on door 9 & 10 to the unit using screw (R), adjust the gap as instruction shown.

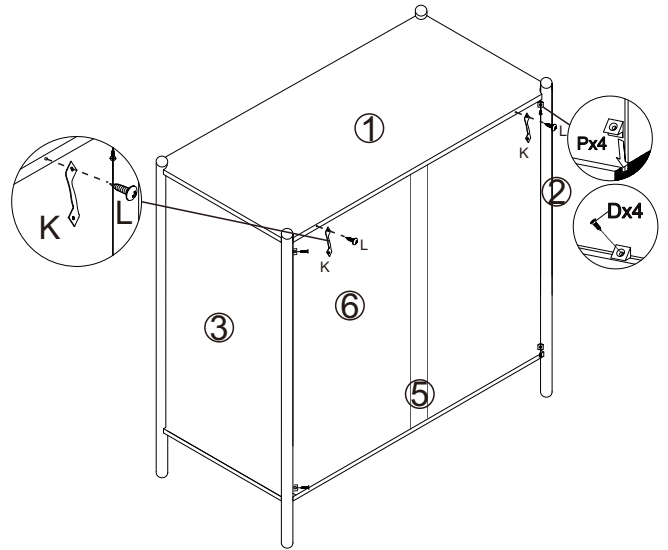


2: Don't tighten each screw at the beginning, check the gap between the door and the cabinet, and tighten all of them when they are all coordinate.
3: If you need to steady this chain hinge, you can drill the two circular holes by yourself

6 Put shelf support (J) into the hole on piece 2 & 3, put the piece 7 on the shelf support.



7 Put the plastic corner support (P) on the backboard 6 using screws (D), attach strip (K) using screw (L).



8 Secure the unit to a wall in your chosen location using wall plugs (O) and screws (N). The unit should now be assembled and ready to use.

